



Vehicle History Report™

US \$44.99

2017 JEEP WRANGLER UNLIMITED RUBICON HARD ROCK

VIN: 1C4HJWFG7HL553665
 4 DOOR WAGON/SPORT UTILITY
 3.6L V6 F DOHC 24V GASOLINE
 REAR WHEEL DRIVE W/ 4X4
 Original Window Sticker

Accident reported: moderate damage

1 Service history record

CARFAX 1-Owner vehicle

Inspection report available

167,816 Last reported odometer reading

This CARFAX Vehicle History Report is based only on information supplied to CARFAX and available as of 1/6/24 at 6:53:50 PM (CST). Other information about this vehicle, including problems, may not have been reported to CARFAX. Use this report as one important tool, along with a vehicle inspection and test drive, to make a better decision about your next used car.

Ownership History The number of owners is estimated		Owner 1
Year purchased		2017
Type of owner		Personal
Estimated length of ownership		6 yrs. 3 mo.
Owned in the following states/provinces		New Jersey, Pennsylvania
Estimated miles driven per year		26,814/yr
Last reported odometer reading		167,816

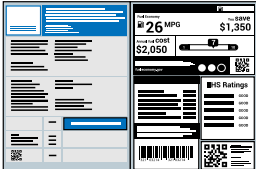
Title History CARFAX guarantees the information in this section		Owner 1
Damage Brands Salvage Junk Rebuilt Fire Flood Hail Lemon		Guaranteed No Problem
Odometer Brands Not Actual Mileage Exceeds Mechanical Limits		Guaranteed No Problem



GUARANTEED - None of these title problems were reported by a U.S. state Department of Motor Vehicles (DMV). If you find that any of these title problems were reported by a DMV and not included in this report, you may qualify.
View Terms | View Certificate

Additional History Not all accidents / issues are reported to CARFAX	Owner 1
Total Loss No total loss reported to CARFAX.	<input checked="" type="checkbox"/> No Issues Reported
Structural Damage CARFAX recommends that you have this vehicle inspected by a collision repair specialist.	<input checked="" type="checkbox"/> No Issues Reported
Airbag Deployment No airbag deployment reported to CARFAX.	<input checked="" type="checkbox"/> No Issues Reported
Odometer Check No indication of an odometer rollback.	<input checked="" type="checkbox"/> No Issues Indicated
Accident / Damage Accidents reported: 10/03/2019 and 07/02/2021. Inspection found prior damage: 11/17/2023.	Accident Reported
Manufacturer Recall No open recalls reported to CARFAX.	<input checked="" type="checkbox"/> No Recalls Reported
Basic Warranty Original warranty estimated to have expired.	Warranty Expired

Detailed History

Owner 1 Purchased: 2017	Personal Vehicle 26,814 mi/yr		
Date	Mileage	Source	Comments
Not Reported		FCA	Vehicle manufactured and shipped to original dealer  Original Window Sticker
05/24/2017	4,713	New Jersey Motor Vehicle Dept. Vincentown, NJ	Title issued or updated - Registration issued or renewed - First owner reported - Titled or registered as personal vehicle

- Loan or lien reported
- Vehicle color noted as Gray

08/17/2017

FCA US LLC

Manufacturer Customer Satisfaction Notification issued

- NHTSA #NONE
- Campaign #T09 2017 JK INTERIOR TRIM LEVEL
- Status: Remedy available

Click here for a copy of the owner letter for this Customer Satisfaction Notification or call 1- 800-853-1403 if you have any questions or need additional information on this Customer Satisfaction Notification.

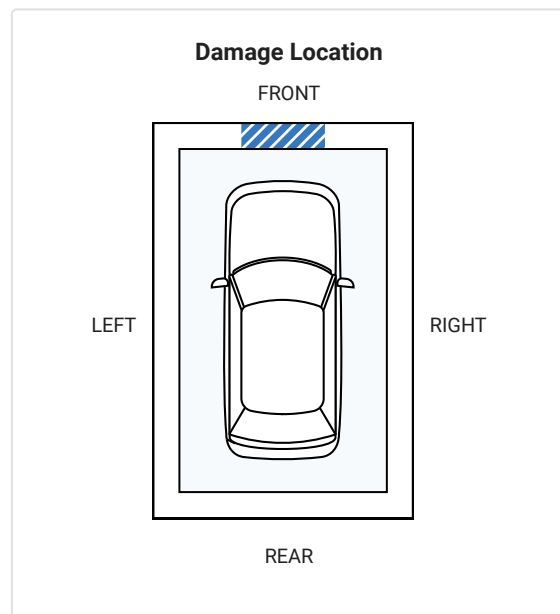
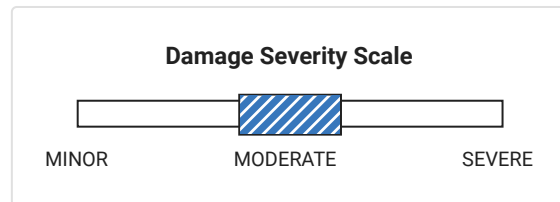
10/03/2019

Damage Report



Accident reported: moderate damage with another motor vehicle

- Damage to front



04/05/2021

New Jersey Motor Vehicle Dept. Vincentown, NJ

Registration issued or renewed

- Vehicle color noted as Gray

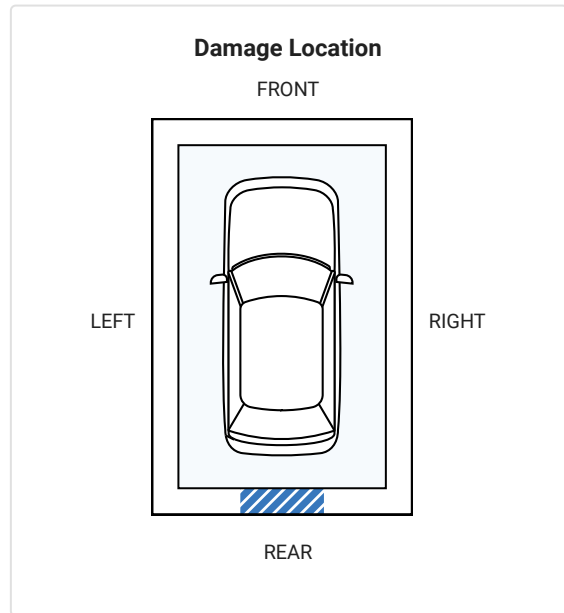
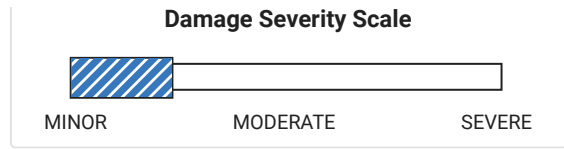
07/02/2021


Damage Report




Accident reported: minor damage with another motor vehicle

- Damage to rear



03/17/2022	New Jersey Motor Vehicle Dept. Vincentown, NJ	Registration issued or renewed - Vehicle color noted as Gray
12/02/2022 147,391	New Jersey Inspection Station	Passed emissions inspection
03/18/2023	New Jersey Motor Vehicle Dept. Vincentown, NJ	Registration issued or renewed - Vehicle color noted as Gray
08/25/2023 167,790	Automotive Intelligence West Chester, PA 610-719-8400 automotiveintelligence.c o ★ 5.0 / 5.0 33 Verified Reviews ❤️ 1 Customer Favorite	 Vehicle serviced - Pre-delivery inspection completed - Oil and filter changed
08/28/2023	New Jersey Motor Vehicle Dept. Cherry Hill, NJ	Dealer took registration of this vehicle - Title issued or updated - Dealer took title of this vehicle while it was in inventory - Vehicle color noted as Gray
08/29/2023	Sky Motor Cars West Chester, PA 610-918-7225 skymotorcars.com/ ★ 4.7 / 5.0	Vehicle offered for sale

23 Verified Reviews

09/06/2023	Online Listing	Vehicle offered for sale
10/10/2023	Pennsylvania Motor Vehicle Dept. West Chester, PA	Title issued or updated - Dealer took title of this vehicle while it was in inventory
10/24/2023	167,803 Online Listing	Vehicle offered for sale
11/17/2023	167,816 TRUE360 Inspection Report true360.com	 Vehicle inspected for prior damage - Minor damage reported - Cosmetic repairs found to: right side, front-end View the complete TRUE360 Report
12/05/2023	Online Listing	Vehicle offered for sale
01/05/2024	Online Listing	Vehicle offered for sale
01/06/2024	CARFAX Car Care	Manufacturer Recommended Maintenance Schedules



Get this vehicle's maintenance schedule, service history and recall alerts at [carfax.com/service](https://www.carfax.com/service).

Have Questions? Please visit our Help Center at www.carfax.com.



Glossary

Accident Indicator

CARFAX receives information about accidents in all 50 states, the District of Columbia and Canada.

Not every accident is reported to CARFAX. As details about the accident become available, those additional details are added to the CARFAX Vehicle History Report. CARFAX recommends that you have this vehicle inspected by a qualified mechanic.

- According to the National Safety Council, Injury Facts, 2021 edition, 5% of the 276 million registered vehicles in the U.S. were involved in an accident in 2019. Over 77% of these were considered minor or moderate.
- This CARFAX Vehicle History Report is based only on information supplied to CARFAX and available as of 1/6/24 at 6:53:50 PM (CST). Other information about this vehicle, including problems, may not have been reported to CARFAX. Use this report as one important tool, along with a vehicle inspection and test drive, to make a better decision about your next used car.

Damage Indicator

Damage can be a result of many different types of events. Examples include contact with objects (other cars, trees, traffic signs, road debris, etc), vandalism, or weather-related events. Not every damage event is reported to CARFAX. As details about the damage event become available, those additional details are added to the CARFAX Vehicle History Report. CARFAX recommends that you have this vehicle inspected by a qualified mechanic.

- This CARFAX Vehicle History Report is based only on information supplied to CARFAX and available as of 1/6/24 at 6:53:50 PM (CST). Other information about this vehicle, including problems, may not have been reported to CARFAX. Use this report as one important tool, along with a vehicle inspection and test drive, to make a better decision about your next used car.

Damage Severity

Damage events result in one of the following severity levels:

- **Minor:** Generally, minor damage is cosmetic (including dents or scratches), may only require reconditioning, and typically does not compromise a vehicle's operation and/or safety.
- **Moderate:** Moderate damage may affect multiple components of the vehicle and may impair the vehicle's operation and/or safety.
- **Severe:** Severe damage usually affects multiple components of the vehicle and is likely to compromise the vehicle's operation and/or safety.

CARFAX recommends getting a pre-purchase inspection at a certified collision repair facility.

First Owner

When the first owner(s) obtains a title from a Department of Motor Vehicles as proof of ownership.

Ownership History

CARFAX defines an owner as an individual or business that possesses and uses a vehicle. Not all title transactions represent changes in ownership. To provide estimated number of owners, CARFAX proprietary technology analyzes all the events in a vehicle history. Estimated ownership is available for vehicles manufactured after 1991 and titled solely in the US including Puerto Rico. Dealers sometimes opt to take ownership of a vehicle and are required to in the following states: Maine, Massachusetts, New Jersey, Ohio, Oklahoma, Pennsylvania and South Dakota. Please consider this as you review a vehicle's estimated ownership history.

Title Issued

A state issues a title to provide a vehicle owner with proof of ownership. Each title has a unique number. Each title or registration record on a CARFAX report does not necessarily indicate a change in ownership. In Canada, a registration and bill of sale are used as proof of ownership.

Follow Us:  [facebook.com/CARFAX](https://www.facebook.com/CARFAX)

 [@CARFAXinc](https://twitter.com/CARFAXinc)

 [About CARFAX](#)

CARFAX DEPENDS ON ITS SOURCES FOR THE ACCURACY AND RELIABILITY OF ITS INFORMATION. THEREFORE, NO RESPONSIBILITY IS ASSUMED BY CARFAX OR ITS AGENTS FOR ERRORS OR OMISSIONS IN THIS REPORT. CARFAX FURTHER EXPRESSLY DISCLAIMS ALL WARRANTIES, EXPRESS OR IMPLIED, INCLUDING ANY IMPLIED WARRANTIES OF MERCHANTABILITY OR FITNESS FOR A PARTICULAR PURPOSE.

SYSTEMATIC RETRIEVAL OF THE CONTENT OR OTHER DATA FROM THIS SITE TO CREATE OR COMPILE, DIRECTLY OR INDIRECTLY, IN WHOLE OR IN PART, A COLLECTION, COMPILATION, DATABASE OR DIRECTORY WITHOUT THE EXPRESS WRITTEN PERMISSION OF CARFAX IS STRICTLY PROHIBITED. THE CARFAX VEHICLE HISTORY REPORT IS SUBJECT TO THE CARFAX.COM TERMS OF USE.

© 2024 CARFAX, Inc., part of S&P Global. All rights reserved.

1/6/24 6:53:50 PM (CST)