



This report provided free of charge by:

**NFI Empire Custom Built Jeeps**

10120 W Main Rd  
North East, PA 16428

814-250-3187

★ **4.6 / 5.0**

9 Verified Reviews



## Vehicle History Report™

US \$44.99

### 2012 TOYOTA FJ CRUISER

VIN: JTEBU4BF0CK136705  
4 DOOR WAGON/SPORT  
UTILITY  
4.0L V6 F DOHC 24V  
GASOLINE  
REAR WHEEL DRIVE W/ 4X4

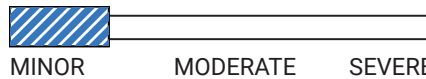
This CARFAX Report Provided  
by:

**NFI Empire Custom Built  
Jeeps**

★ **4.6 / 5.0**

9 Verified Reviews

#### Accident reported: minor damage



**25** Service history records



**5** Previous owners



Types of owners: Personal, Commercial



**81,576** Last reported odometer reading

This CARFAX Vehicle History Report is based only on information supplied to CARFAX and available as of 4/20/24 at 8:19:06 AM (CDT). Other information about this vehicle, including problems, may not have been reported to CARFAX. Use this report as one important tool, along with a vehicle inspection and test drive, to make a better decision about your next used car.



### Accident / Damage History

Not all accidents / issues are reported to CARFAX

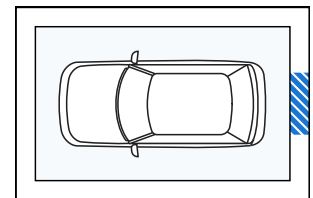
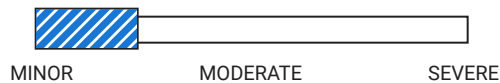
#### Event 1

12/02/2014

#### Accident reported: minor damage

- Vehicle involved in a rear-end collision with another motor vehicle

#### Damage Severity Scale

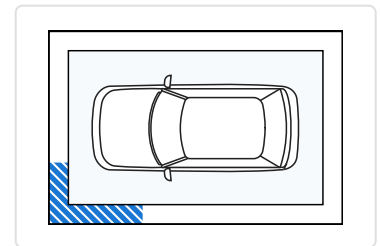
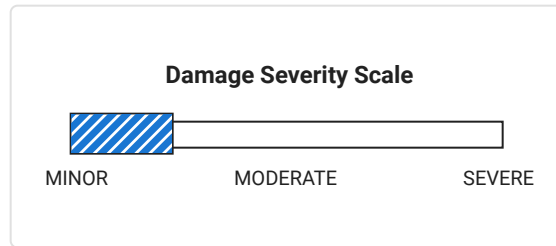


#### Event 2

03/16/2017

**Accident reported:  
minor damage**

- Vehicle involved in a rear-end collision with another motor vehicle



<b>CARFAX</b> Additional History Not all accidents / issues are reported to CARFAX	Owners 1-3	Owner 4	Owner 5
<b>Total Loss</b> No total loss reported to CARFAX.	✓ No Issues Reported	✓ No Issues Reported	✓ No Issues Reported
<b>Structural Damage</b> CARFAX recommends that you have this vehicle inspected by a collision repair specialist.	✓ No Issues Reported	✓ No Issues Reported	✓ No Issues Reported
<b>Airbag Deployment</b> No airbag deployment reported to CARFAX.	✓ No Issues Reported	✓ No Issues Reported	✓ No Issues Reported
<b>Odometer Check</b> No indication of an odometer rollback.	✓ No Issues Indicated	✓ No Issues Indicated	✓ No Issues Indicated
<b>Accident / Damage</b> Accidents reported: 12/02/2014 and 03/16/2017.	Minor Damage	No New Issues Reported	No New Issues Reported
<b>Manufacturer Recall</b> No open recalls reported to CARFAX. Check with an authorized Toyota dealer for any open recalls. View Toyota disclosure	✓ No Recalls Reported	✓ No Recalls Reported	✓ No Recalls Reported

<b>CARFAX</b> Title History CARFAX guarantees the information in this section	Owners 1-3	Owner 4	Owner 5
<b>Damage Brands</b> Salvage   Junk   Rebuilt   Fire   Flood   Hail   Lemon	✓ <b>Guaranteed</b> No Problem	✓ <b>Guaranteed</b> No Problem	✓ <b>Guaranteed</b> No Problem
<b>Odometer Brands</b> Not Actual Mileage   Exceeds Mechanical Limits	✓ <b>Guaranteed</b> No Problem	✓ <b>Guaranteed</b> No Problem	✓ <b>Guaranteed</b> No Problem



**GUARANTEED** - None of these title problems were reported by a U.S. state Department of Motor Vehicles (DMV). If you find that any of these title problems were reported by a DMV and not included in this report, you may qualify. [View Terms](#) | [View Certificate](#)



## Ownership History

The number of owners is estimated

	Owners 1-3	Owner 4	Owner 5
Year purchased	2012	2023	2023
Type of owner	See Details	Personal	Personal
Estimated length of ownership	10 yrs. 8 mo.	18 days	5 days
Owned in the following states/provinces	See Details	Ontario	Ohio, Pennsylvania
Estimated miles driven per year	See Details	---	---
Last reported odometer reading	78,914	---	81,576



## Detailed History



### Owner 1

Purchased: 2012







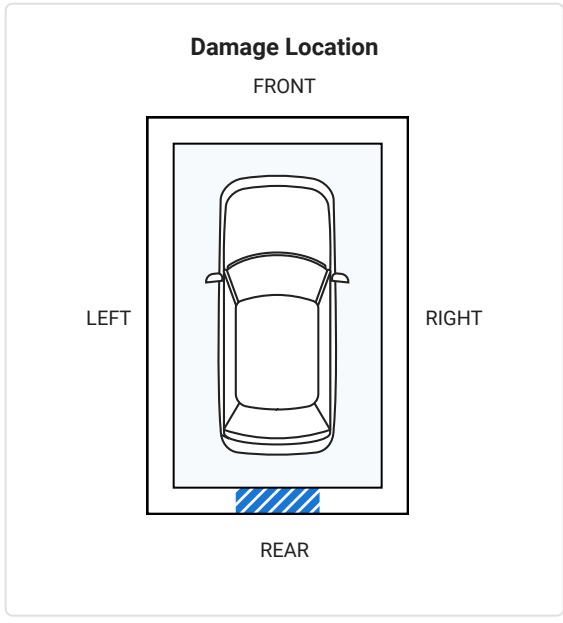
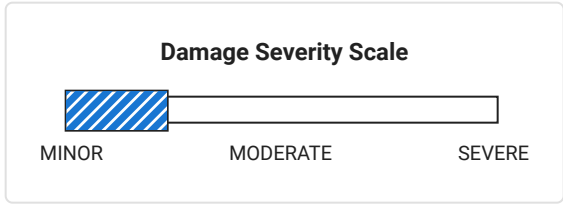
**Low mileage!** This owner drove less than the industry average of 15,000 miles per year.

Personal Vehicle  
14,774 mi/yr

Date	Mileage	Source	Comments
05/02/2012	3	Upper James Toyota Hamilton, ON 905-387-9287 upperjamestoyota.ca	<b>Vehicle serviced</b> - Pre-delivery inspection completed - VIN glass etching vin etched - Vehicle washed/detailed - Nitrogen fill tires
05/02/2012		Service Facility Hamilton, ON	<b>Vehicle serviced</b>
07/31/2012		Ontario Ministry of Transportation	<b>Registration issued or renewed</b> - First owner reported - Passed safety inspection - Vehicle color noted as White
08/29/2012	1,078	Service Facility Scarborough, ON	<b>Vehicle serviced</b> - Odometer reported as 1,735 kilometers
03/05/2013	4,175	Service Facility North York, ON	<b>Vehicle serviced</b> - Odometer reported as 6,719 kilometers
04/13/2013	4,660	Service Facility Scarborough, ON	<b>Vehicle serviced</b> - Odometer reported as 7,500 kilometers

05/30/2013	6,137	Service Facility North York, ON		<b>Vehicle serviced</b> - Odometer reported as 9,877 kilometers
07/12/2013	7,456	Ontario Ministry of Transportation Southwestern Ontario		<b>Odometer reading reported</b> - Odometer reported as 11,999 kilometers
07/16/2013		Ontario Ministry of Transportation Southwestern Ontario		<b>Registration issued or renewed</b> - Registered as personal vehicle
08/01/2013	8,473	Service Facility Scarborough, ON		<b>Vehicle serviced</b> - Odometer reported as 13,636 kilometers
09/06/2013	9,823	Service Facility Scarborough, ON		<b>Vehicle serviced</b> - Odometer reported as 15,809 kilometers
09/16/2013	10,196	Service Facility Scarborough, ON		<b>Vehicle serviced</b> - Odometer reported as 16,409 kilometers
09/27/2013	10,783	Service Facility Scarborough, ON		<b>Vehicle serviced</b> - Odometer reported as 17,354 kilometers
01/22/2014	16,425	Service Facility Scarborough, ON		<b>Vehicle serviced</b> - Odometer reported as 26,433 kilometers
01/22/2014		Service Facility North York, ON		<b>Vehicle serviced</b>
05/23/2014	22,715	Service Facility North York, ON		<b>Vehicle serviced</b> - Odometer reported as 36,556 kilometers
05/23/2014		Service Facility Scarborough, ON		<b>Vehicle serviced</b>
06/24/2014	24,331	Service Facility North York, ON		<b>Vehicle serviced</b> - Odometer reported as 39,157 kilometers
06/24/2014		Service Facility Scarborough, ON		<b>Vehicle serviced</b>
07/02/2014	24,544	Ontario Ministry of Transportation Southwestern Ontario		<b>Odometer reading reported</b> - Odometer reported as 39,500 kilometers

07/16/2014		Ontario Ministry of Transportation Southwestern Ontario		<b>Registration issued or renewed</b> - Registered as personal vehicle
09/06/2014	27,815	Service Facility Scarborough, ON		<b>Vehicle serviced</b> - Odometer reported as 44,764 kilometers
09/06/2014		Service Facility North York, ON		<b>Vehicle serviced</b>
11/25/2014	31,960	Service Facility Scarborough, ON		<b>Vehicle serviced</b> - Odometer reported as 51,435 kilometers
12/02/2014		Ontario Damage Report		<b>Accident reported: minor damage</b> - Vehicle involved in a rear-end collision with another motor vehicle - Damage to rear



Minor damage is usually cosmetic, including dents or scratches to the vehicle body.

01/20/2015	35,043	Service Facility Scarborough, ON		<b>Vehicle serviced</b> - Oil and filter changed
------------	--------	-------------------------------------	---	---

- Odometer reported as 56,396 kilometers

03/11/2015 37,529

Service Facility  
Scarborough, ON



**Vehicle serviced**

- Odometer reported as 60,397 kilometers

06/19/2015 40,071

Service Facility  
Scarborough, ON



**Vehicle serviced**

- Odometer reported as 64,488 kilometers

07/14/2015 42,874

Ontario  
Ministry of  
Transportation  
Southwestern Ontario

**Odometer reading reported**

- Odometer reported as 68,999 kilometers

07/16/2015

Ontario  
Ministry of  
Transportation  
Southwestern Ontario

**Registration issued or renewed**

- Registered as personal vehicle

07/27/2015

Service Facility  
Scarborough, ON



**Vehicle serviced**

12/31/2015 49,787

Active Green & Ross  
Scarborough, ON  
416-438-6610

★ 4.4 / 5.0

7 Verified Reviews

♥ 13 Customer Favorites



**Vehicle serviced**

- Tire condition and pressure checked  
- Odometer reported as 80,124 kilometers

01/04/2016 51,228

Active Green & Ross - Vic  
Pk  
Toronto, ON  
416-510-2224  
activegreenross.com

★ 5.0 / 5.0

6 Verified Reviews

♥ 28 Customer Favorites



**Vehicle serviced**

- Odometer reported as 82,443 kilometers

07/13/2016 58,408

Ontario  
Ministry of  
Transportation  
Southwestern Ontario

**Odometer reading reported**

- Odometer reported as 93,999 kilometers

07/16/2016

Ontario  
Ministry of  
Transportation  
Southwestern Ontario

**Registration issued or renewed**

- Registered as personal vehicle

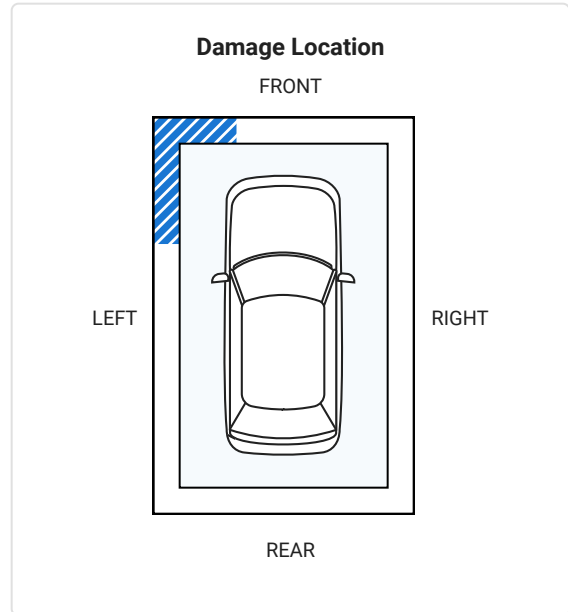
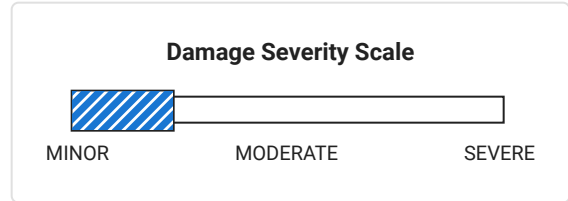
03/16/2017

Ontario  
Damage Report



**Accident reported: minor damage**

- Vehicle involved in a rear-end collision with another motor vehicle  
- Damage to left front



Minor damage is usually cosmetic, including dents or scratches to the vehicle body.



**Owner 2**  
Purchased: 2017

Personal Vehicle

Date	Mileage	Source	Comments
09/11/2017		Ontario Ministry of Transportation	<b>Requires Ontario safety standards inspection</b> - New owner reported



**Owner 3**  
Purchased: 2020



**Low mileage!** This owner drove less than the industry average of 15,000 miles per year.

Commercial  
Vehicle  
3,584 mi/yr

Date	Mileage	Source	Comments
12/23/2020	73,738	Ontario Ministry of Transportation	<b>Passed Ontario safety standards inspection</b> - Registration issued or renewed - New owner reported - Vehicle color noted as White - Odometer reported as 118,670 kilometers

02/15/2022	77,671	Ontario Ministry of Transportation	<b>Registration issued or renewed</b> - Vehicle color noted as White - Odometer reported as 124,999 kilometers
06/03/2022	78,914	Ontario Ministry of Transportation	<b>Odometer reading reported</b> - Odometer reported as 127,000 kilometers
09/15/2022		Ontario Ministry of Transportation	<b>Registration issued or renewed</b> - Registered as commercial vehicle - Vehicle color noted as White
04/20/2023		Online Listing	<b>Vehicle offered for sale</b>
07/10/2023		US Dept of Transportation Buffalo-Niagara Falls, NY	<b>Vehicle imported and declared to meet US highway safety specifications</b> - Bond released on 08/02/2023



**Owner 4**

Purchased: 2023

Personal Vehicle

Date	Mileage	Source	Comments
07/17/2023		Ontario Ministry of Transportation	<b>Passed Ontario safety standards inspection</b> - New owner reported - Vehicle color noted as White



**Owner 5**

Purchased: 2023

Personal Vehicle

Date	Mileage	Source	Comments
08/04/2023	81,447	Ohio Motor Vehicle Dept.	<b>Vehicle purchase reported</b>
08/05/2023		Ohio Motor Vehicle Dept. Akron, OH	<b>Title issued or updated</b> - New owner reported
08/09/2023		Online Listing	<b>Vehicle offered for sale</b>
10/07/2023	81,576	NFI Empire Custom Built Jeeps North East, PA 814-746-4213 <a href="https://nfiempire.com/">https://nfiempire.com/</a> ★ 4.6 / 5.0 9 Verified Reviews	<b>Vehicle offered for sale</b>
04/12/2024		Pennsylvania Motor Vehicle Dept.	<b>Title issued or updated</b>



North East, PA

- Dealer took title of this vehicle while it was in inventory

04/20/2024

CARFAX Car Care

### Manufacturer Recommended Maintenance Schedules



Get this vehicle's maintenance schedule, service history and recall alerts at [carfax.com/service](https://carfax.com/service).

Have Questions? Please visit our Help Center at [www.carfax.com](https://www.carfax.com).



## Glossary

### Accident Indicator

CARFAX receives information about accidents in all 50 states, the District of Columbia and Canada.

Not every accident is reported to CARFAX. As details about the accident become available, those additional details are added to the CARFAX Vehicle History Report. CARFAX recommends that you have this vehicle inspected by a qualified mechanic.

- According to the National Safety Council, Injury Facts, 2021 edition, 5% of the 276 million registered vehicles in the U.S. were involved in an accident in 2019. Over 77% of these were considered minor or moderate.
- This CARFAX Vehicle History Report is based only on information supplied to CARFAX and available as of 4/20/24 at 8:19:06 AM (CDT). Other information about this vehicle, including problems, may not have been reported to CARFAX. Use this report as one important tool, along with a vehicle inspection and test drive, to make a better decision about your next used car.

### Commercial

Vehicle was registered for business purposes.

### Damage Severity

Damage events result in one of the following severity levels:

- Minor: Generally, minor damage is cosmetic (including dents or scratches), may only require reconditioning, and typically does not compromise a vehicle's operation and/or safety.
- Moderate: Moderate damage may affect multiple components of the vehicle and may impair the vehicle's operation and/or safety.
- Severe: Severe damage usually affects multiple components of the vehicle and is likely to compromise the vehicle's operation and/or safety.

CARFAX recommends getting a pre-purchase inspection at a certified collision repair facility.

### First Owner

When the first owner(s) obtains a title from a Department of Motor Vehicles as proof of ownership.

### New Owner Reported

When a vehicle is sold to a new owner, the Title must be transferred to the new owner(s) at a Department of Motor Vehicles.

### Ownership History

CARFAX defines an owner as an individual or business that possesses and uses a vehicle. Not all title transactions represent changes in ownership. To provide estimated number of owners, CARFAX proprietary technology analyzes all the events in a vehicle history. Estimated ownership is available for vehicles manufactured after 1991 and titled solely in the US including Puerto Rico. Dealers sometimes opt to take ownership of a vehicle and are required to in the following states: Maine, Massachusetts, New Jersey, Ohio, Oklahoma, Pennsylvania and South Dakota. Please consider this as you review a vehicle's estimated ownership history.

### **Title Issued**

A state issues a title to provide a vehicle owner with proof of ownership. Each title has a unique number. Each title or registration record on a CARFAX report does not necessarily indicate a change in ownership. In Canada, a registration and bill of sale are used as proof of ownership.

### **Toyota Recall / Service Campaign**

Portions of this report have been included under license from Toyota Motor North America, Inc. ("TOYOTA"), License Agreement TMS1013 . This data applies only to vehicle marketed or originally sold in Mexico and the United States of America, including Guam, Saipan, American Samoa, Puerto Rico, the U.S. Virgin Islands and the other United States territories and protectorates with currently open safety or emissions recalls, or service campaigns. While TOYOTA provides data to Carfax Inc. on a regular basis, this report may not include very recent activity. For the manufacturer's most current information on recall/campaign activity for any Toyota, Lexus or Scion brand vehicle, you must go to <http://toyota.com/recall> or <http://lexus.com/recall>.

**Follow Us:**



[facebook.com/CARFAX](https://facebook.com/CARFAX)



[@CARFAXinc](https://twitter.com/CARFAXinc)



**About CARFAX**

CARFAX DEPENDS ON ITS SOURCES FOR THE ACCURACY AND RELIABILITY OF ITS INFORMATION. THEREFORE, NO RESPONSIBILITY IS ASSUMED BY CARFAX OR ITS AGENTS FOR ERRORS OR OMISSIONS IN THIS REPORT. CARFAX FURTHER EXPRESSLY DISCLAIMS ALL WARRANTIES, EXPRESS OR IMPLIED, INCLUDING ANY IMPLIED WARRANTIES OF MERCHANTABILITY OR FITNESS FOR A PARTICULAR PURPOSE.

SYSTEMATIC RETRIEVAL OF THE CONTENT OR OTHER DATA FROM THIS SITE TO CREATE OR COMPILE, DIRECTLY OR INDIRECTLY, IN WHOLE OR IN PART, A COLLECTION, COMPILATION, DATABASE OR DIRECTORY WITHOUT THE EXPRESS WRITTEN PERMISSION OF CARFAX IS STRICTLY PROHIBITED. THE CARFAX VEHICLE HISTORY REPORT IS SUBJECT TO THE CARFAX.COM TERMS OF USE.

© 2024 CARFAX, Inc., part of S&P Global. All rights reserved.

4/20/24 8:19:06 AM (CDT)